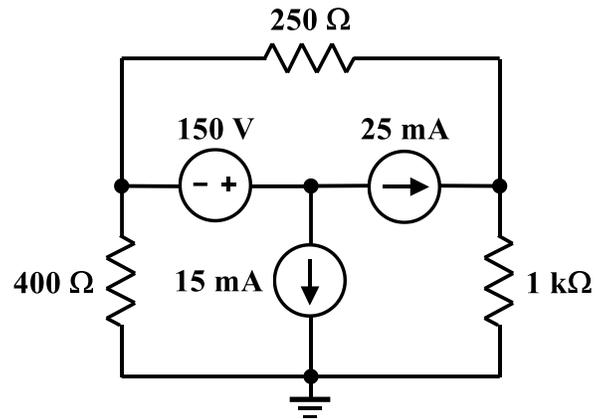


EE 2240
Homework Problem #019

Assign node labels and express the node equations in the matrix form discussed in class.



Do not attempt to solve the equations.